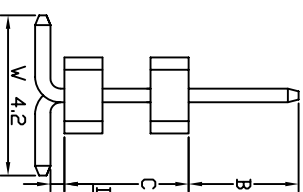
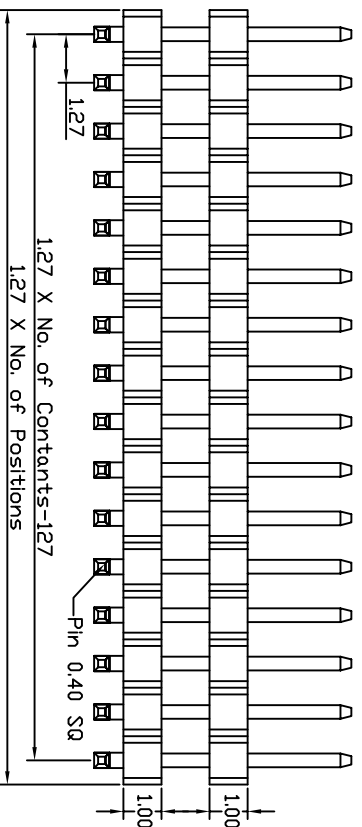
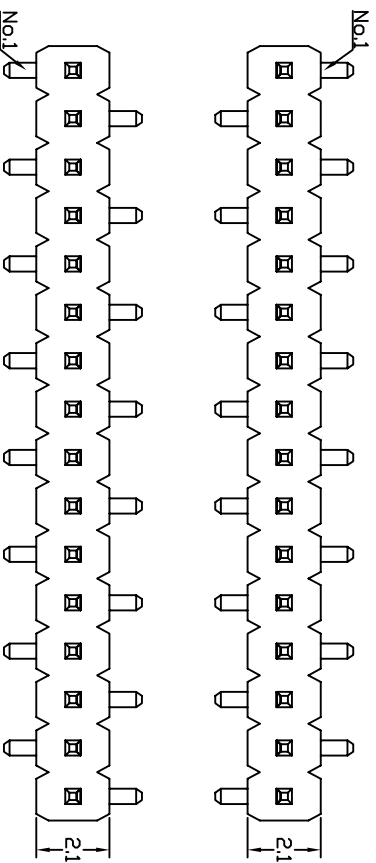


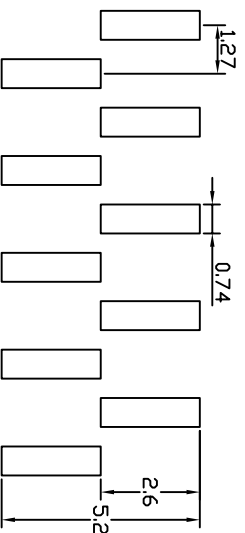
NO.	REV.	MODIFY NOTES	REVISED	DATE
1	A1	新版发行	Wanglong	09.02.18



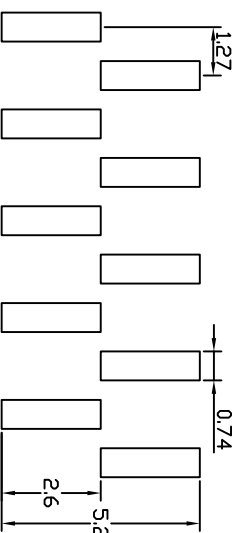
## SPECIFICATIONS

- Current Rating : 1AMP
- Operation Temperature : -40°C to +105°C
- Contact Resistance : 20m Ω Max.
- Insulation Resistance : 1000MΩ Min
- Withstanding Voltage : AC 500V
- Insulator Material : Polyester (UL94V-0)  
Standard: Nylon-6T
- Contact Material : Bronze
- Contact Plating : Au or Over 50 U" Ni

PCB LAYOUT



PCB LAYOUT



TOLERANCE:			
X.	±XXX		
.X	±0.20		
.XX	±0.10		
ANG.			
TITLE:		1.27mm,0.465Q Board Spacer, Single Row,S.M.T	
DWG NO.		AT-09020013	
THIRD ANGLE PROJECTION			

# NT

**東莞市安拓電子有限公司**  
**DONGGUAN ANTUO electronic co.,LTD**  
 地址:廣東省東莞市長安鎮銅屋第一工業區  
 電話:0769-82716236 傳真:0769-82716087

SIGNATURE		DATE		CODE NO.	
Wanglong		2009.02.18		JW00	
CH.K.		2009.02.18		CUS. NO.	
APP.		2009.02.18		SCALE	
Summer				UNIT	
				PAGE	
				1/1	